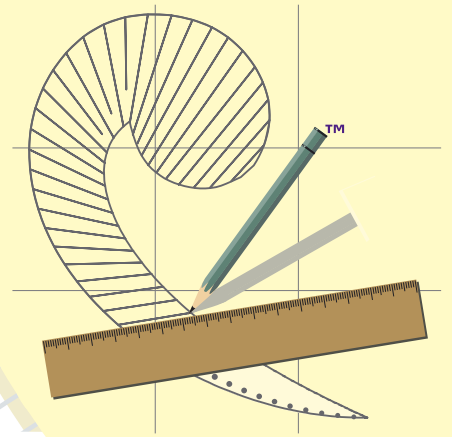


# Wings<sup>XP</sup>



**eXPerience**<sup>®</sup>  
embroidery software  
...running  
Smoothly!

⌘ **User Friendly**

⌘ **High Performance**

⌘ **Innovative Embroidery Software**

eXPerience<sup>®</sup> embroidery software is a top of the line professional embroidery software which combines ease of use, quick performance and outstanding quality. eXPerience<sup>®</sup> (Wings' XP<sup>®</sup>) embroidery software comes in 5 levels to meet each embroiderer's needs:

⌘ **Connect**

The basic level which can be connected with the embroidery machine and manage the designs you have saved in your hard disk. Search, Browser, Color Management, Zoom tools, Design Information, are all included here. Moreover you can edit any design you load.

⌘ **Text**

In case your designs are based on lettering, Text is the best level to meet your needs. In this level, you can find all the parameters and the means to create and place a text, even if it is made with Pre-punched fonts or True Type converted fonts.

⌘ **Operator**

The best level for production. In this level you will find all the options described in the previous levels, plus the necessary editing and punching tools, in order to edit your designs or create new ones.

⌘ **Puncher**

If you mainly create your own designs, Puncher is the most suitable solution. With this level you can have all the above-mentioned options and the tools to punch the most demanding designs.

⌘ **Pro**

The ultimate solution for punching houses and professionals. Pro level provides you with all the options of the previous levels plus the ability to create complicated designs in the fastest possible way.

## NEW FEATURES v. 2.50

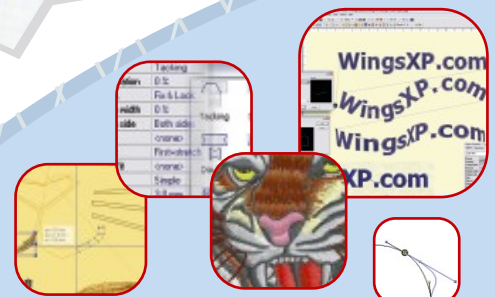
- ⌘ Create styles with sequins
- ⌘ Create Frill designs by using the Needle up special function inside the Style editor
- ⌘ Multiple Frames in styles with sequins
- ⌘ Artistic Styles with sequins
- ⌘ Fill area with Sequins
- ⌘ Preview all stitch files inside the Icon browser
- ⌘ Convert object "To style"
- ⌘ Complete Clipart library with over 700 designs ready to be used

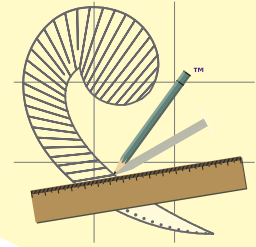


**Royal quality for everyone!**

**Make the difference!**

[www.wingsxp.com](http://www.wingsxp.com)

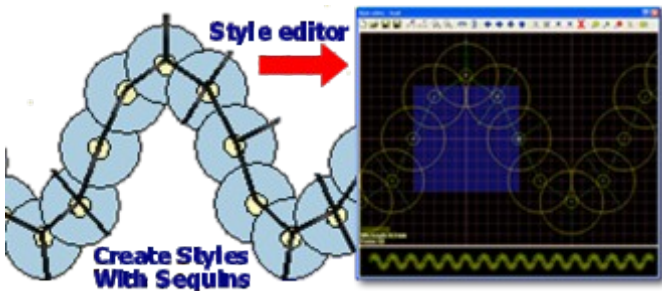




## NEW FEATURES v. 2.50

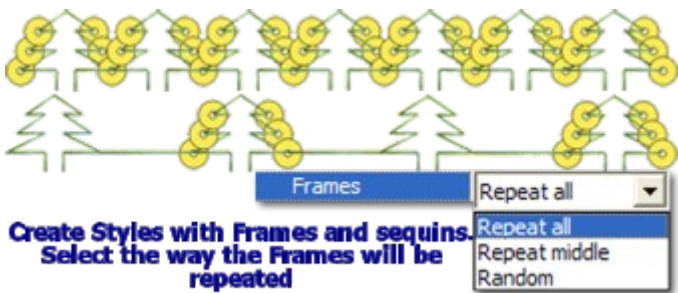
### Create styles with sequins

eXPerience® 2.50 introduces New Advanced style editor. The advanced style editor allows you to add special functions (sequin, Needle up and stop) inside styles. Now you can easily create styles with Sequins by designing your own holding style. You can have many different Sequins holding methods in a single style and apply a style on any stitch type that supports sequins.



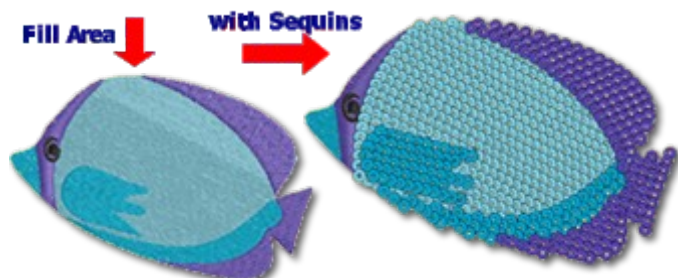
### Multiple Frames in styles with sequins

Create styles with multiple frames that can also contain sequins. Add as many sequins as you want in your style, design a holding method for each one and apply the style to your design. Edit your old styles, add more frames to them and create continuities that will decorate your design. You can also decide which way a style with frames will be applied (Random, Repeat middle, Repeat All). It is very easy to design the style you imagine and give added value to your work.



### Fill area with Sequins

eXPerience® now has the ability to fill an area with sequins. You can now create a style with sequins or use any of the existing ones and apply it on any stitch type that supports styles. Fill Step, Piping, Satin and Zig-Zag objects with sequins by simply selecting the sequin style you want. You can also, set the direction of the applied style to produce the fish scale effect.



### Artistic Styles with sequins

Create Artistic Styles with sequins that can produce perfect pattern fills. Use your expertise to create unique styles or edit any one from the nearly 400 existing styles to produce the embroidery result you want.



### Convert object "To style"

Now is easier than ever to create styles. Design the style you want as a normal object or select any existing design and convert it to a style by simply selecting the "To style" option. The style can be used immediately on any other object. This is the easiest way to create styles or convert parts of a design to style.

Also, the symbols which are included in the software can become a rich library for "To style" option.



### Create Frill designs by using the Needle up special function inside the style editor

You can create styles for frill designs by using the Needle up special function that is added inside the style editor. There are no limitations in the styles you can create for frill designs.

### Preview all stitch files inside Icon browser

You can now view all your stitch files as thumbnails inside the Icon browser of the software and thus easily select the design you want to use. Categorize your designs by subject and save time and effort with the ability to search inside your design galleries.



Icon browser

